



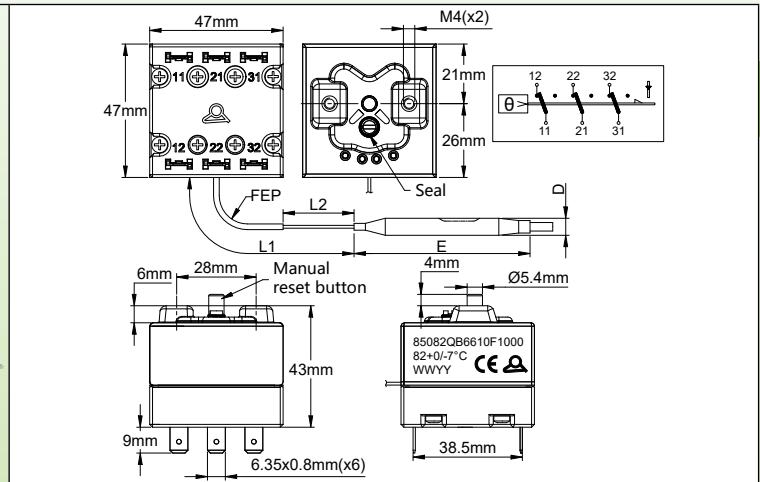
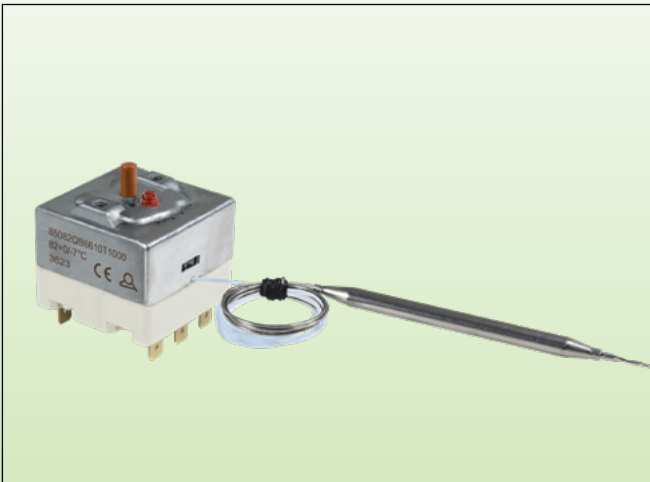
# Manual reset thermal cut-out

## 3 poles manual reset high limit, fail safe

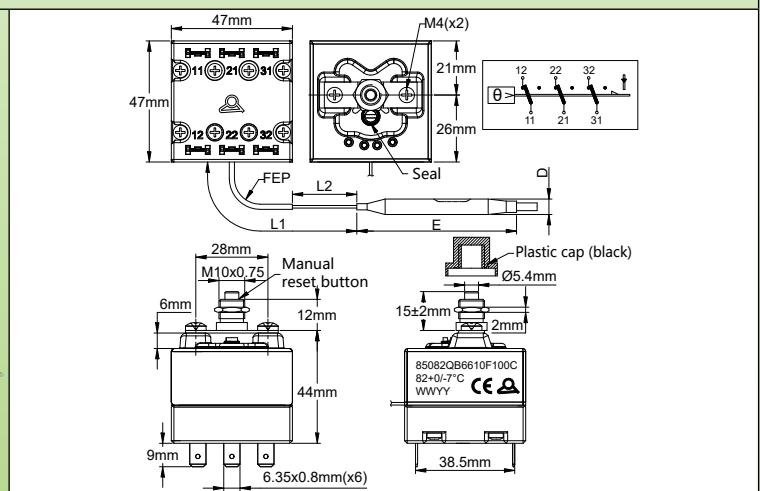
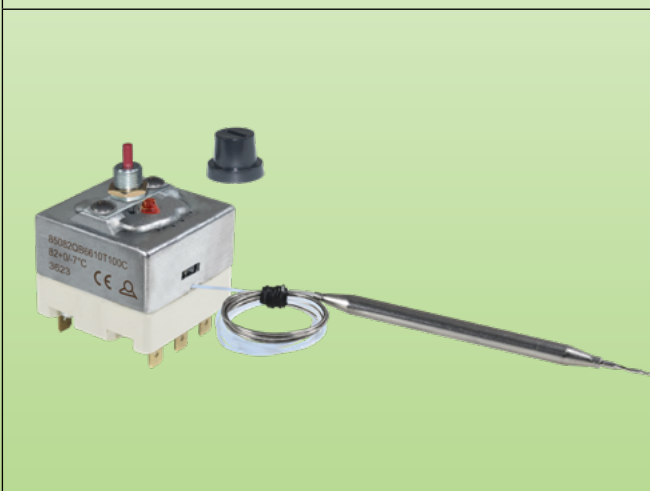
### Type 85

#### Dimensions

Because of permanent improvement of our products, drawings, features used on these data sheets are for guidance only and can be modified without prior advice



#### Type with 2 M4 screws mounting



#### Type with M10 central bush mounting

#### Technical features

##### Housing dimensions:

- Two M4 screws, 28mm distance mounting: 47 × 47 × 43 mm (terminals not included).
- Type with M10 central bush mounting: 47 × 47 × 56 mm (terminals not included).

**Bulb and capillary:** Stainless steel, capillary length 250mm to 1,500mm with 150 mm long FEP sleeve on capillary or 1000 mm with 900 mm long FEP sleeve on capillary. Capillary minimum bending radius 5 mm.

**Temperature sensing element:** Liquid filled bulb and capillary.

**Terminals:** 6.35 × 0.8 quick connect terminals (M4 screw with saddle also available on request).

**Adjustment:** Fixed setting, sealed.

**Manual reset:** Fail safe, fixed setting, front access reset button.

**Fail safe contact action by low temperature:** Temperature under -15°C (5°F) will trigger the manual reset. Then it is possible to manually reset the contacts when temperature resumes to normal.

**Mounting:** 2 screws M4, 28mm distance. (Front bushing, M10 × 0.75 thread available on request)

**Rating:** 30A 250/400VAC resistive.

**Contacts:** 3 snap action simultaneous contact, open on temperature rise.

**Max ambient temperature on body:** 125°C (257°F).

**Other technical features:** Ask for technical data sheet of the specific product.

##### Options:

- M14 fitting on capillary (for water baths and deep fryers).
- Central M10 bush mounting.
- 1, 2, or 3 gold plated contacts for thermocouple circuits or electronic low voltage devices.

**Approvals:** CE (by TÜV).



# Manual reset thermal cut-out

Main references, without capillary fitting\*, 2 M4 screws mounting\*\*

Reference	Calibration temperature °C (°F)	Capillary length (mm)	Bulb diameter (mm)	Bulb length (mm)	Max temperature on bulb (°C/°F)
85080QB6610TF000	80+0/-7°C (176+0/-13°F)	1000	6	60	270°C/518°F
85080QB66BETF000	80+0/-7°C (176+0/-13°F)	250	6	60	270°C/518°F
85090QB6610TF000	90+0/-7°C (194+0/-13°F)	1000	6	60	270°C/518°F
85100QB6610TF000	110+0/-10°C (230+0/-18°F)	1000	6	60	270°C/518°F
85130QB6510TF000	130+0/-10°C (266+0/-18°F)	1000	6	55	270°C/518°F
85150QB6510TF000	150+0/-15°C (302+0-27°F)	1000	6	55	270°C/518°F
85175QB4410TF000	175+0/-15°C (347+0/-27°F)	1000	4	45	270°C/518°F
85220QB4410TF000	220+0/-15°C (428+0/-27°F)	1000	4	40	270°C/518°F
85270QB4410TF000	270+0/-20°C (518+0/-36°F)	1000	4	40	295°C/563°F
85300QB4410TF000	300+0/-20°C (572+0/-36°F)	1000	4	40	325°C/617°F

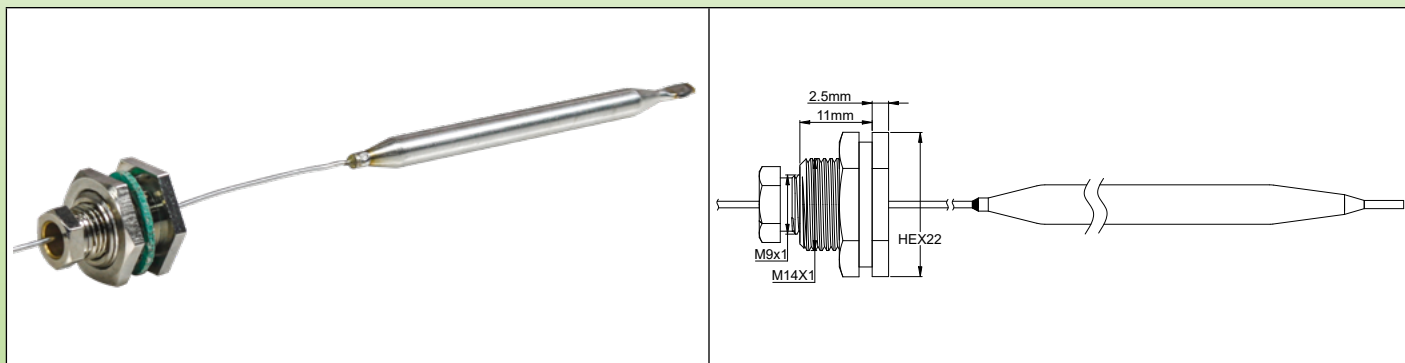
Other temperatures and capillary length on request.

\* - With 120°C (248°F) capillary fitting for Bain Marie, replace 000 by 300 in the reference

- With 220°C (428°F) capillary fitting for deep fryers, replace 000 by 400 in the reference

\*\* -With M10x0.75 central bush fixing, replace the last character 0 by C in the reference

## Capillary fittings, shipped assembled on the capillary



Because of permanent improvement of our products, drawings, descriptions, features used on these data sheets are for guidance only and can be modified without prior advice